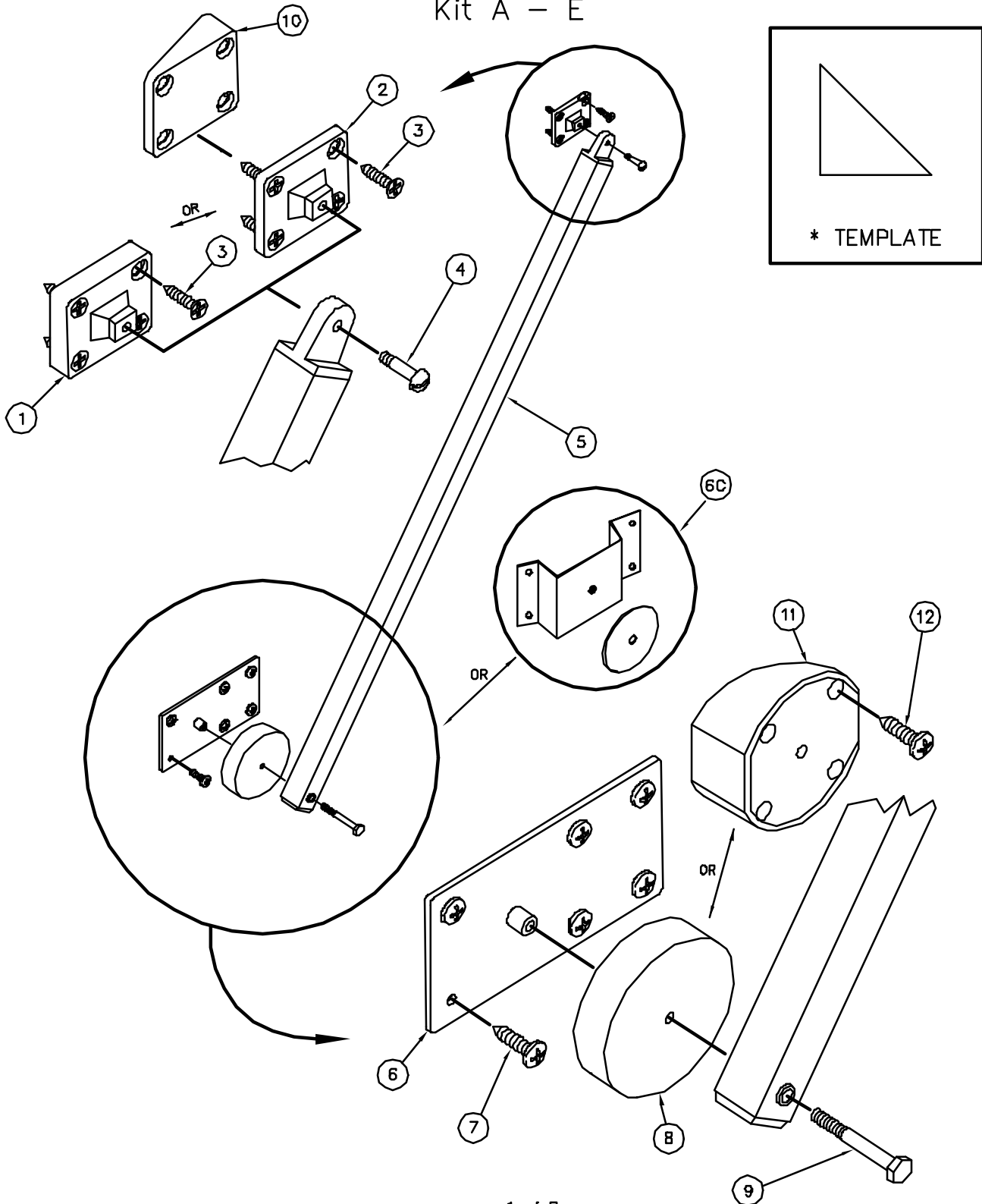


0471001A.dwg

# COVER CRADLE EXPLODED DETAIL #1

Kit A - E



page 1 of 2

# COVER CRADLE EXPLODED DETAIL #1

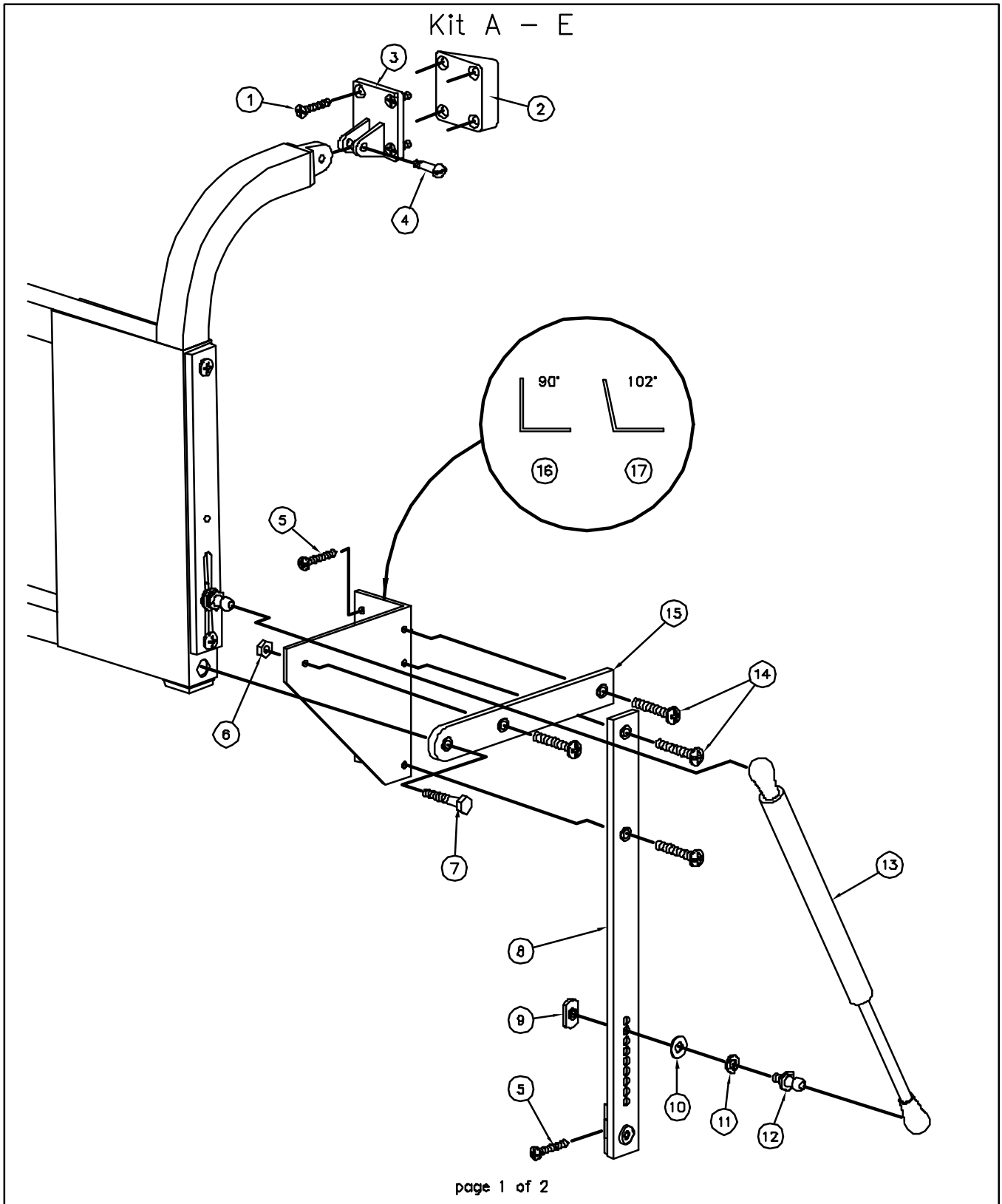
Kit A - E

ITEM	DESCRIPTION	WHERE USED	PART NO.
1	Side Hinge, Thick w/Screw 11/16" Base	VINYL COVERS ONLY	72452
2	Hinge, Side w/Screw	ALL	71097
3	Screw, #10 x 1-1/2" Flat Head Phillips	ALL	71110
4	Screw, 1/4"-20 Hinge Side	ALL	71215
5	Sidearm	ALL	71096
6A	Bracket, Side 6-1/4"	S, I, H, J MODELS ONLY	71102
6B	Bracket, Side 15"	G, K ONLY	71103
6C	Bracket, Side w/Divot Disc	F MODEL ONLY 1998-2001	71993
7A	Screw, #10 x 1-1/2" Pan Head Phillips	ALL	71111
7B*	Screw, #10 x 2" Pan Head Phillips Use on spas with removable panels only	S,I,G,V	72504
8	Wheel, Divot	ALL EXCEPT F	71101
9A	Bolt, 1-1/4"-20 x 2 Hex Head	ALL EXCEPT F	71218
9B	Bolt, 1-1/4"-20 x 1-3/4" Hex Head	F MODEL ONLY	71116
10	Wedge, Side	MODELS F/K	71099
11A	Wheel, Pivot (F only), Right	F MODEL ONLY 1996-1997	71233
11B	Wheel, Divot (F only), Left	F MODEL ONLY 1996-1997	71234
12	Screw, #10 x 1" Pan Head, Phillips	F MODEL ONLY	71235
**	Screw Kit, 2" PH P (QTY 20) Use on spas with removable panels only	S,I,G,V	72505

\* Use on spas with removable panels only

\*\* Non-Illustrated Part

# COVER CRADLE EXPLODED DETAIL #2



page 1 of 2

# COVER CRADLE EXPLODED DETAIL #2

Kit A - E

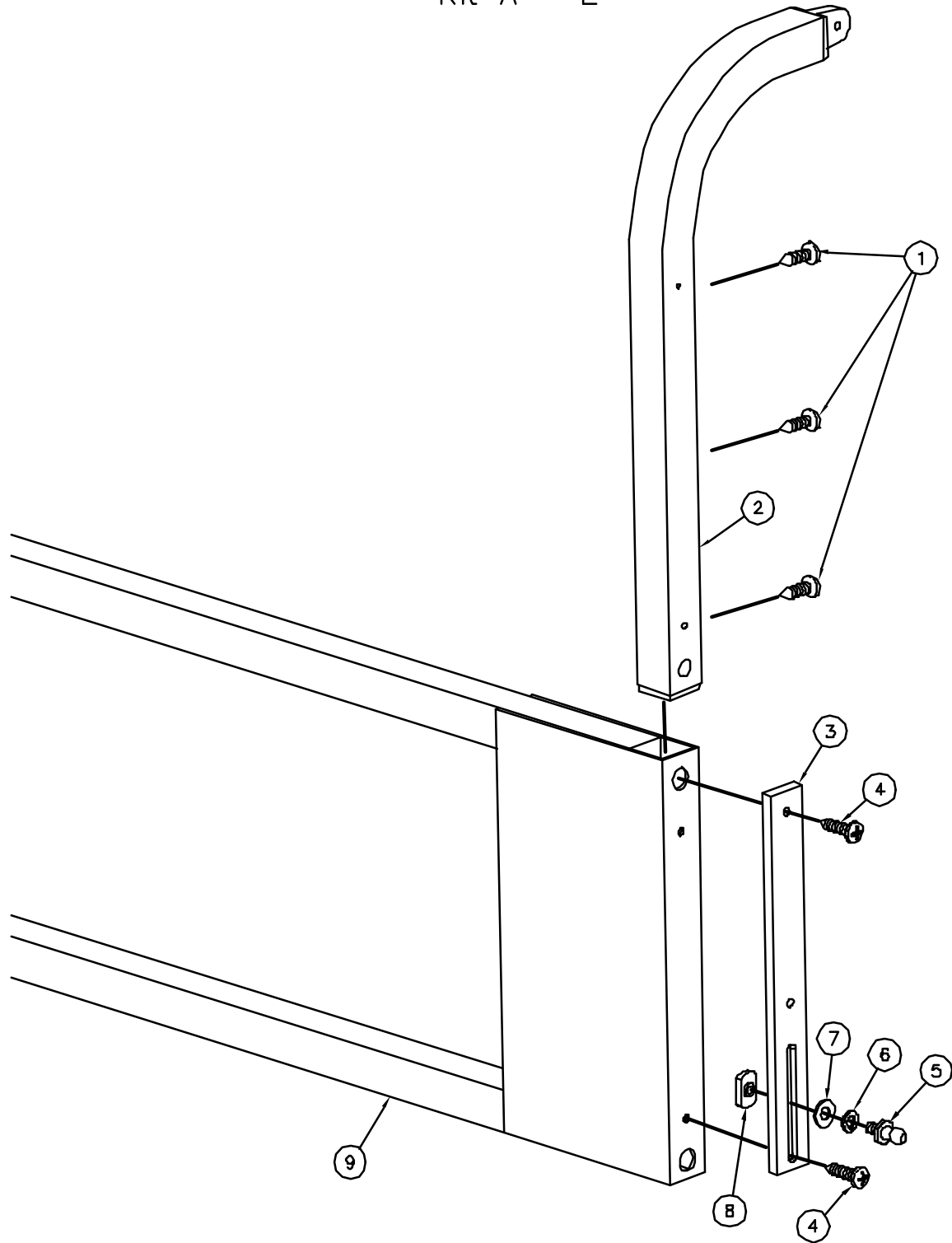
ITEM	DESCRIPTION	WHERE USED	PART NO.
1	SCREW, #10 x 1-1/2", FLAT HEAD PHILLIPS	ALL	71110
2	WEDGE, HINGE, REAR (K/F)	K, F, MODELS ONLY	71093
3	HINGE, REAR WITH SCREW	ALL	71092
4	SCREW, 1/4-20, HINGE REAR	ALL	71216
5A	SCREW, #10 x 1-1/2", PAN HEAD PHILLIPS	ALL	71111
5B*	SCREW, #10 x 2", PAN HEAD PHILLIPS	S, I, G, V 2002-CURRENT	72504
6	NUT, 1/4-20 HEX HEAD	ALL	71219
7	BOLT, 1/4-20 x 1", HEX HEAD	ALL	71217
8	BAR, GAS SPRING, LOWER	ALL	71091
9	NUT, SLOT 1/4"	ALL	71220
10	WASHER, 1/4" FLAT	ALL	71113
11	WASHER, 1/4" SPLIT LOCK	ALL	71114
12	STUD, BALL 1/4"	ALL	71107
13	SPRING, GAS	ALL	71095
14	SCREW, 1/4-20 x 3/4 PH DLP MS	ALL	71112
15	PIVOT BAR, WITH BEARING	ALL EXCEPT F	71085
16A	BRACKET, BASE 90°, LEFT	ALL EXCEPT, F, K	71086
16B	BRACKET, BASE 90°, RIGHT	ALL EXCEPT, F, K	71087
17A	BRACKET, BASE 102°, RIGHT	K MODELS ALL	71088
17B	BRACKET, BASE 102° LEFT	K MODELS ONLY	71089
17C	BRACKET, BASE 102° RIGHT, F	F MODELS ONLY	71279
17D	BRACKET, BASE 102° LEFT, F	F MODELS ONLY	71278

\* Use on spas with removable panels only

page 2 of 2

# COVER CRADLE EXPLODED DETAIL #3

Kit A - E



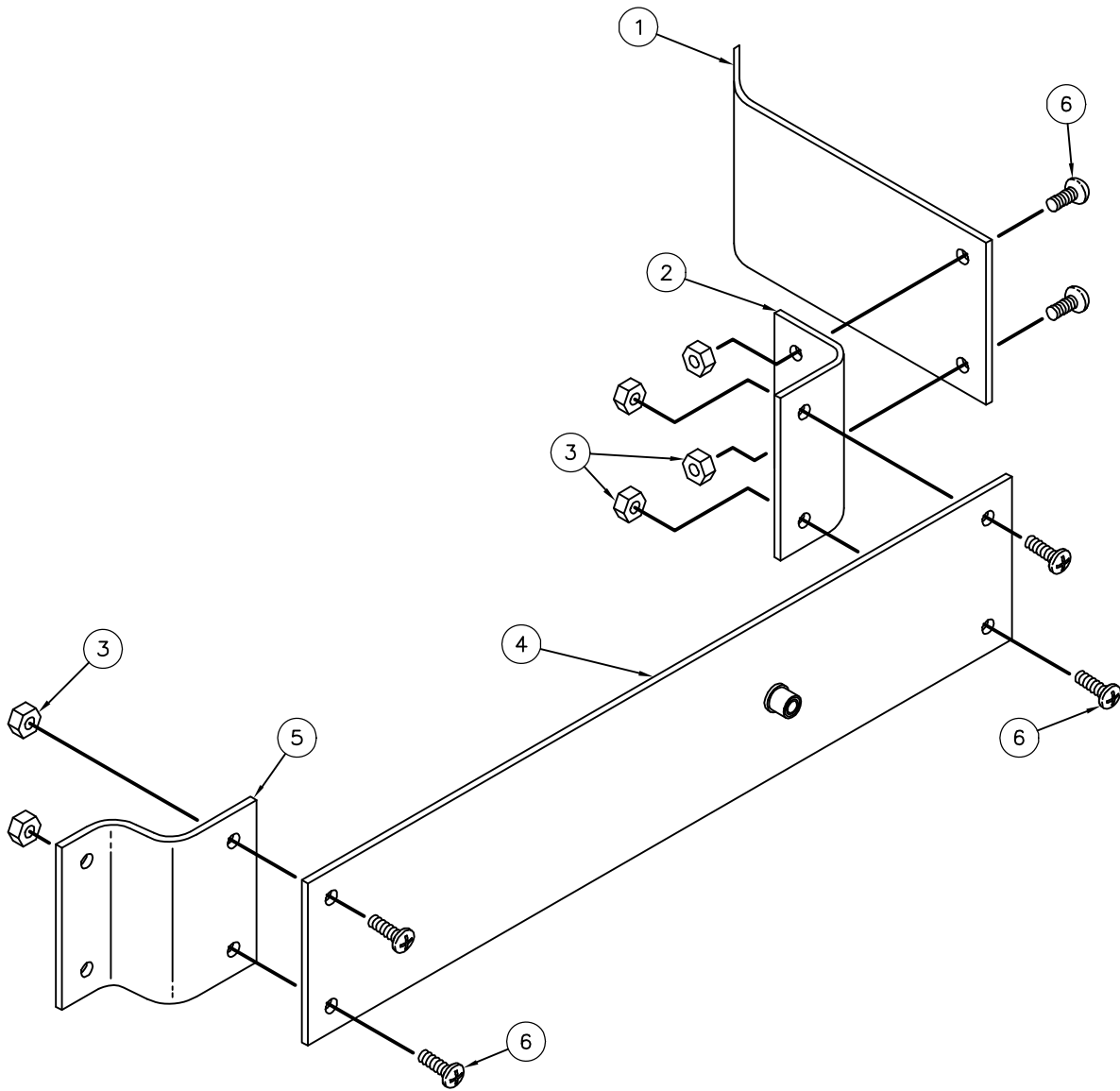
page 1 of 2

# COVER CRADLE EXPLODED DETAIL #3

Kit A - E

ITEM	DESCRIPTION	WHERE USED	PART NO.
1	SCREW, #10 x 1/2" PAN HEAD, PHILLIPS	ALL	71109
2A	BACKARM, CURVED LEFT	ALL	71083
2B	BACKARM CURVED RIGHT	ALL	71084
3	BAR, GAS SPRING, UPPER	ALL	71090
4	SCREW, #10 x 3/4" PAN HEAD, PHILLIPS	ALL	71108
5	STUD, BALL 1/4"	ALL	71107
6	WASHER, 1/4" SPLIT LOCK	ALL	71114
7	WASHER, 1/4" FLAT	ALL	71113
8	NUT, SLOT 1/4"	ALL	71220
9	BACK PANEL	ALL	71082

page 2 of 2



ITEM	DESCRIPTION	WHERE USED	PART NO.
1	BRACKET, FLANGED, 6" (G/K)	G, K, ONLY	71104
2	BRACKET, CORNER (G/K)	G, K, ONLY	71105
3	NUT, 1/4-20 HEX HEAD	G, K, ONLY	71219
4	BRACKET, SIDE 15"	G, K, ONLY	71103
5	BRACKET, FRONT (K TUBCAP ONLY)	K, TUBCAP ONLY	71106
6	SCREW, 1/4-20 x 3/4" MACH. PH	G, K, ONLY	71112

0548101A.dwg