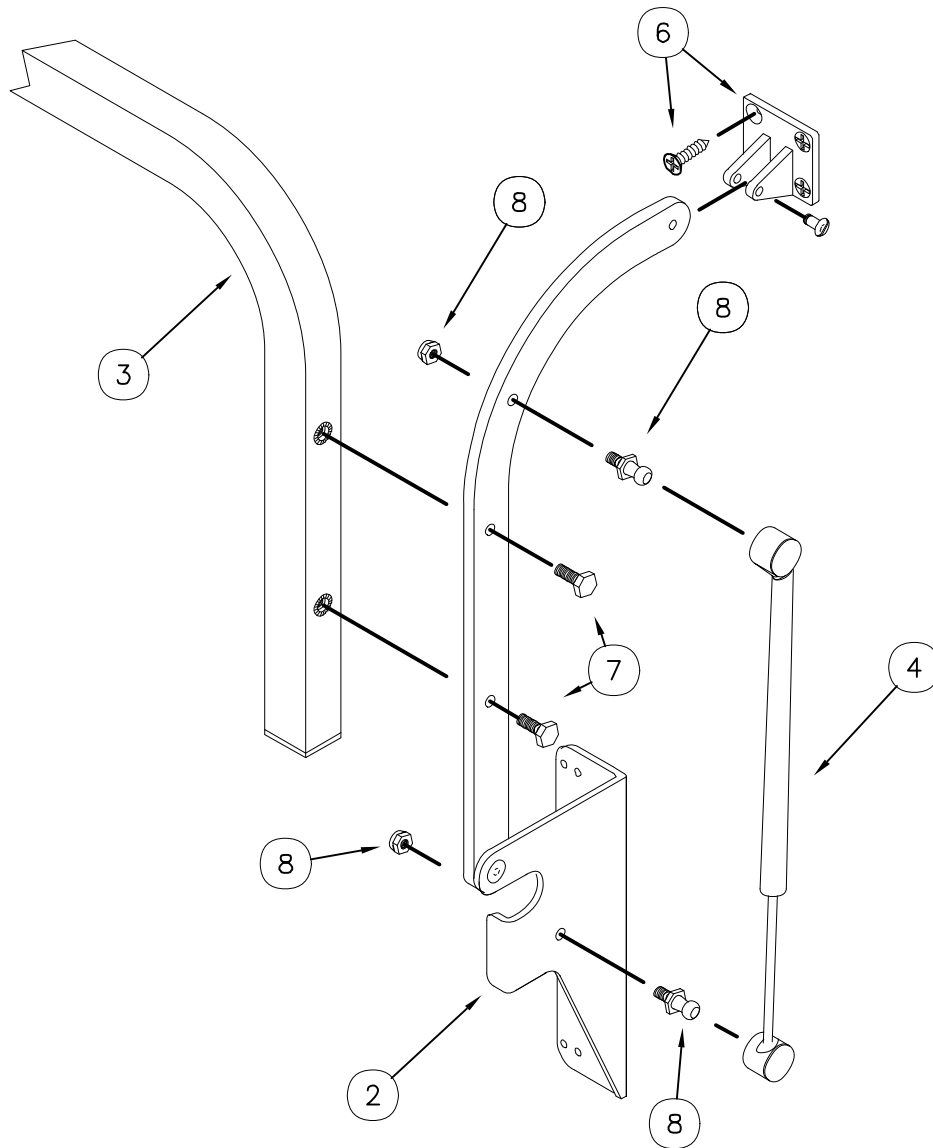
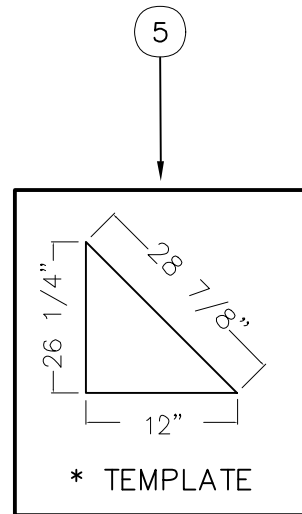
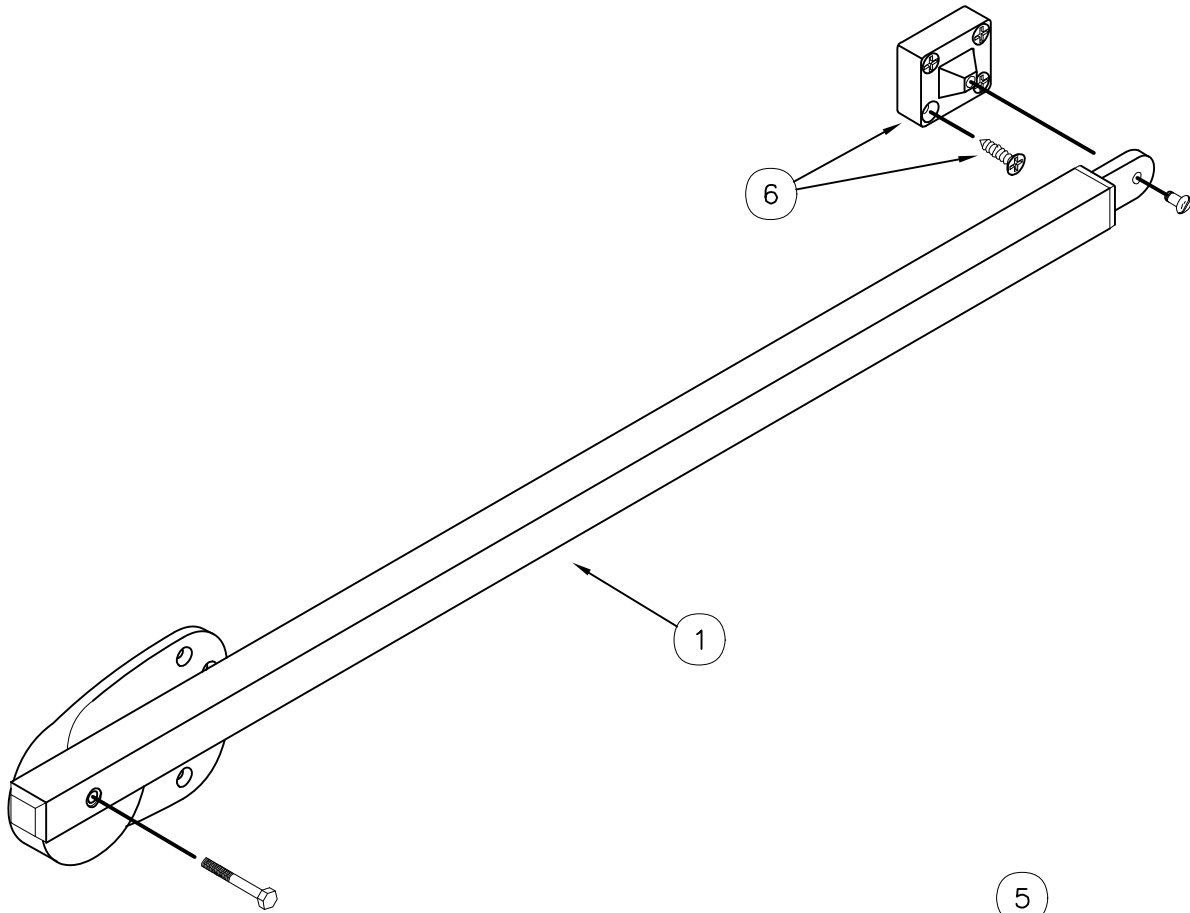


COVER CRADLE II



COVER CRADLE II



COVER CRADLE II

ITEM	DESCRIPTION	P/N
1	Side Arm Assembly	72573
2a	Pivot Assembly (Right)	72713
2b	Pivot Assembly (Left)	72712
3	Crosslink Assembly	72572
4	Gas Spring, 60 lb.	74034
5	Template, Cardboard, 54 degree	Use inserted drawing
6	Cover Cradle II Hardware Bag #1	72574
7	Cover Cradle II Hardware Bag #2	72714
*	Cover Cradle II Hardware Bag #3 Use only on Spas with Removable Panels	72715
8	Cover Cradle II Hardware Bag #4	72716
**	Cover Cradle II Complete Assembly	72690

* Non Illustrated Part

Hardware Bag #1 (PN 72574):

- 2 - 4 Hole Side Hinges (11/16" base)
- 2 - 4 Hole Rear Hinges
- 8 - #10 x 1" Flat Head Screw
- 8 - #10 x 1-1/2" Flat Head Screw

Hardware Bag #2 (PN 72714):

- 4 - 1/4-20 x 3/4" Hex Bolt
- 8 - #10 x 1-1/2" Flat Head Screws
- 14 - #10 x 1-1/2" Pan Head Screws

Hardware Bag #3 (PN 72715):

Use on Spas with Removable Panels Only

- 8 - #10 x 2" Flat Head Screws
- 14 - #10 x 2" Pan Head Screws

Hardware Bag #4 (PN 72716):

- 1 - Ball Stud, 1/4"
- 1 - 1/4" 20 Thin Lock Nut
- 1 - Ball Stud, 5/16"
- 1 - 5/16" 18 Nylock Nut